

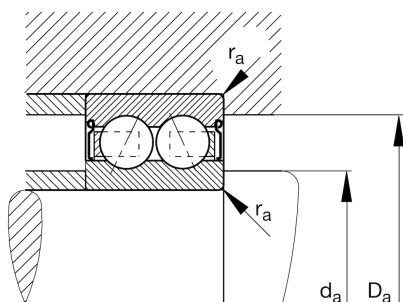
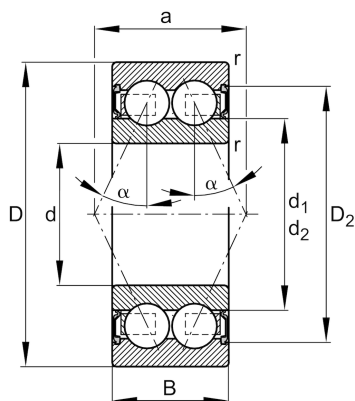
## 3004-2RS

Angular contact ball bearing

Schaeffler ID:  
0009588400000

Angular contact ball bearing 30..-B-2RS-TVH, double row, seals, plastic cage

### Technical information



### Main Dimensions & Performance Data

d	20 mm	Bore diameter
D	42 mm	Outside diameter
B	16 mm	Width
$C_r$	14,300 N	Basic dynamic load rating, radial
$C_{0r}$	9,400 N	Basic static load rating, radial
$C_{ur}$	490 N	Fatigue load limit, radial
$n_G$	10,500 1/min	Limiting speed
	0.094 kg	Weight

### Dimensions

$r_{min}$	0.6 mm	Minimum chamfer dimension
$D_2$	36.4 mm	Caliber diameter outer ring
$d_2$	25.3 mm	Caliber diameter inner ring
a	21.1 mm	Distance between the apexes of the pressure cones
$\alpha$	25 °	Contact angle

### Mounting dimensions

$d_{a min}$	23.2 mm	Minimum diameter shaft shoulder
$D_{a max}$	38.8 mm	Maximum diameter of housing shoulder
$r_{a max}$	0.6 mm	Maximum fillet radius

### Temperature range

$T_{min}$	-20 °C	Operating temperature min.
$T_{max}$	100 °C	Operating temperature max.